

"Raise & Roll
from show to show!"

LIFTING WHEEL

Our multifunctional Lifting wheel makes it possible to smoothly move your stage around and use the maximum load of your stage deck when the wheels are lifted off the ground.

The Lifting wheel lifts 27 mm up and down and can be used in 3 different ways!



TECHNICAL SOLUTIONS



Stage riser

Use half couplers to mount the Lifting wheel to your round stage legs. Lift the wheels off the floor and you can use the maximum load of your stage deck.



Truss mover

Mount the Lifting wheel onto truss with our Truss attachment. Rolling truss pieces on, off and around the stage was never this easy.

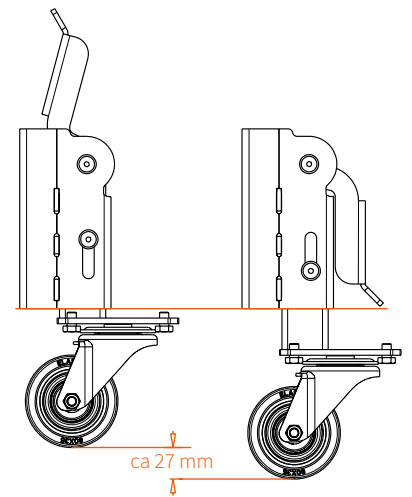
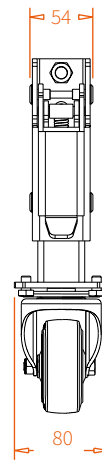
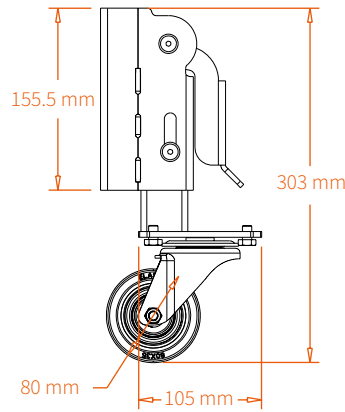
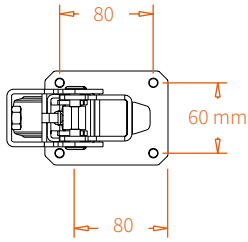


Box riser

Mount the Lifting wheel to wood or metal with the Mounting plate attachment and roll around wooden boxes or other decor pieces.

To make you smile on stage.

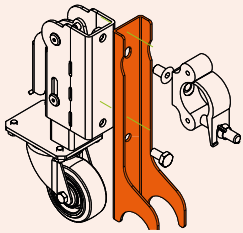
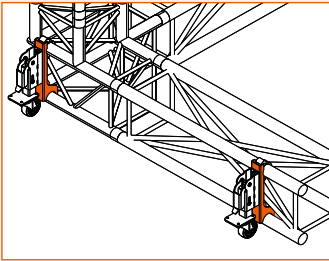
DIMENSIONS



ATTACHMENTS

TRUSS MOVER

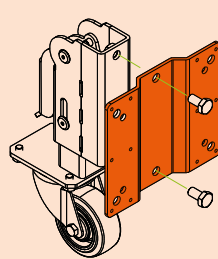
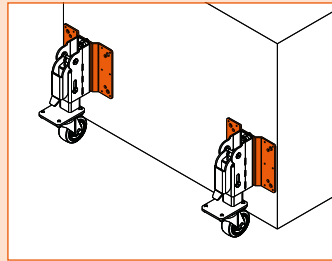
Use the Lifting wheel in combination with our Truss attachment to move horizontal 30 Truss.



1 x Truss attachment
1 x Half coupler

BOX RISER

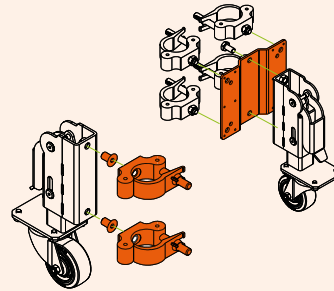
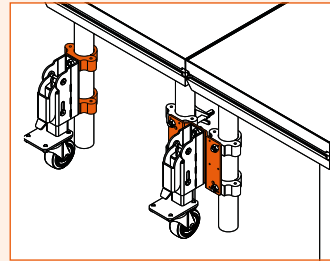
Our Mounting plate allows you to mount the Lifting wheel to wood or metal walls.



1 x Mounting plate

STAGE RISER ROUND

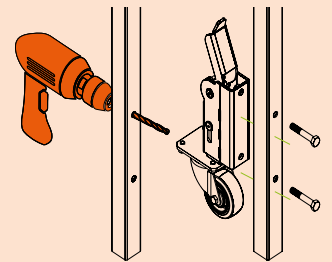
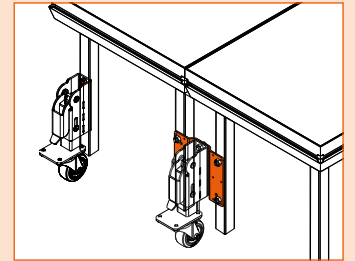
Mount the Lifting wheel to 1 or 2 round stagelegs to use it as a Stage riser.



1 leg: 2 x Half coupler
2 legs: 1 x Mounting plate
4 x Half coupler

STAGE RISER SQUARE

The Lifting wheel can be mounted direct on square stagelegs without use of accessories.



Drill two holes here and attach the wheel with 2 bolts.

TECHNICAL DATA

Lifting wheel		Truss attachment		Mounting plate	
SKU:	POPOAL04	SKU:	POPOALT4	SKU:	POPOALT2
EAN:	8720094420837	EAN:	8720094420851	EAN:	8720094420844
material:	2 mm zinc plated metal	material:	2 mm zinc plated metal	material:	5 mm zinc plated metal
castor:	80 mm rotating castor	for 30 truss:	center to center 239 mm	holes:	4 x Ø 11 mm
WLL castor:	130 kg	weight:	0.7 kg		4 x Ø 8.5 mm
lifting height:	27 mm			weight:	0.9 kg
weight:	2.95 kg				